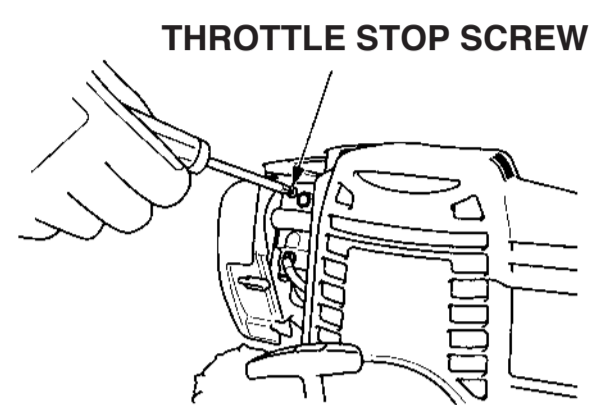


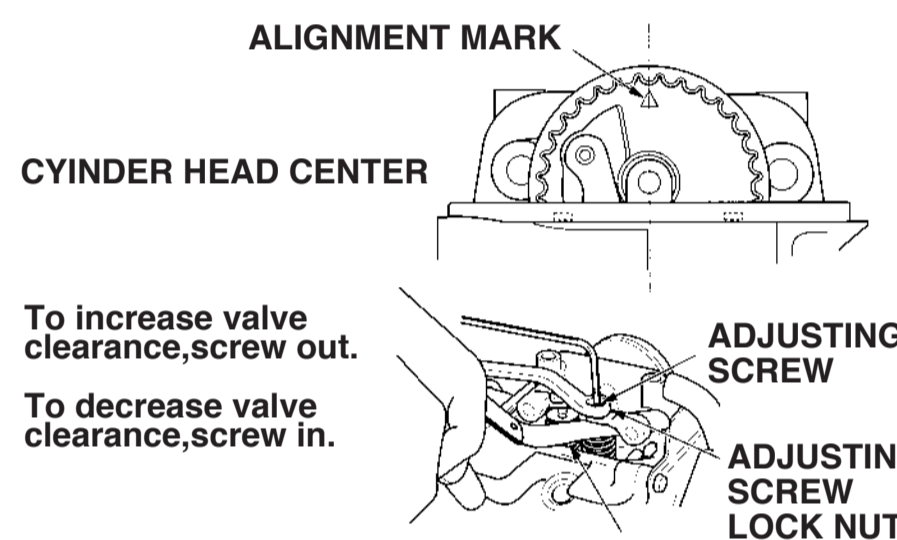
## ADJUSTMENT THE IDLE SPEED



**Adjustment:**  
Start the engine and allow it to warm up to normal operating temperature. Then, adjust the idle speed by turning the throttle stop screw right or left.

Standard idle speed	3.100±200rpm
---------------------	--------------

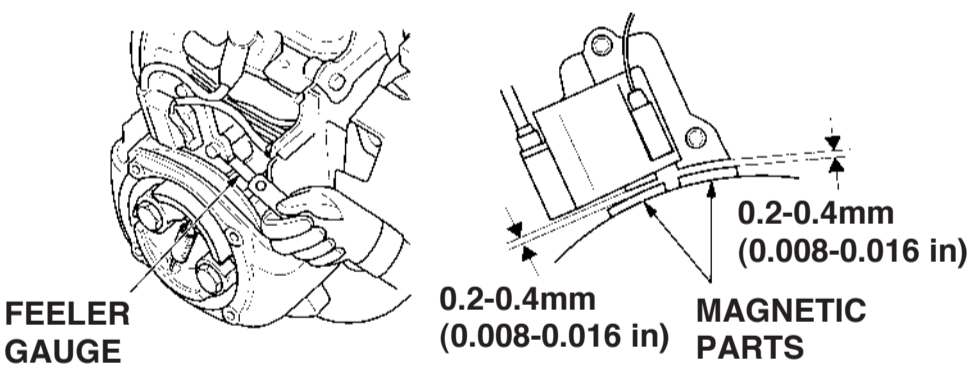
## VALVE CLEARANCE



TORQUE: 4.9 N·m (0.5 Kgf·m, 3.9 lbf·ft)

Standard valve clearance	IN	0.08±0.02mm
	EX	0.11±0.02mm

## IGNITION COIL AIR GAP



	Specified clearance
GX25	0.3-0.5mm (0.012-0.020 in)
GX35	0.2-0.4mm (0.008-0.016 in)

6.4 N·m (0.65 kgf·m, 4.1 lbf·ft)

3.0 N·m (0.3 kgf·m, 2.2 lbf·ft)

3.4 N·m (0.3 kgf·m, 2.5 lbf·ft)

15 N·m (1.55 kgf·m, 17 lbf·ft)

22.6 N·m (2.3 kgf·m, 16.7 lbf·ft) GX-35

14.7 N·m (1.49 kgf·m, 10.7 lbf·ft) GX-25

12 N·m (1.2 kgf·m, 2.2 lbf·ft)

3.0 N·m (0.3 kgf·m, 2.2 lbf·ft)

4.9 N·m (0.45 kgf·m, 3.2 lbf·ft)

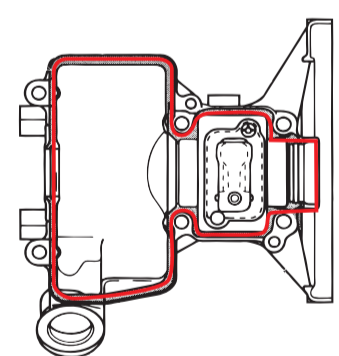
4.4 N·m (0.45 kgf·m, 3.2 lbf·ft)

6.4 N·m (0.65 kgf·m, 4.7 lbf·ft)

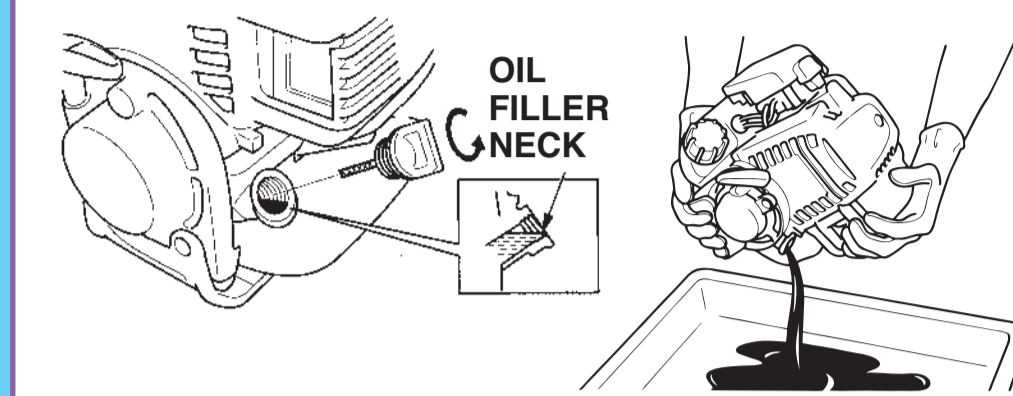
6.4 N·m (0.65 kgf·m, 4.7 lbf·ft)

6.4 N·m (0.65 kgf·m, 4.7 lbf·ft)

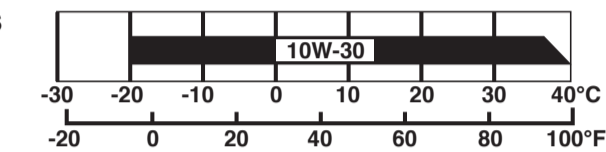
## LIQUID GASKET



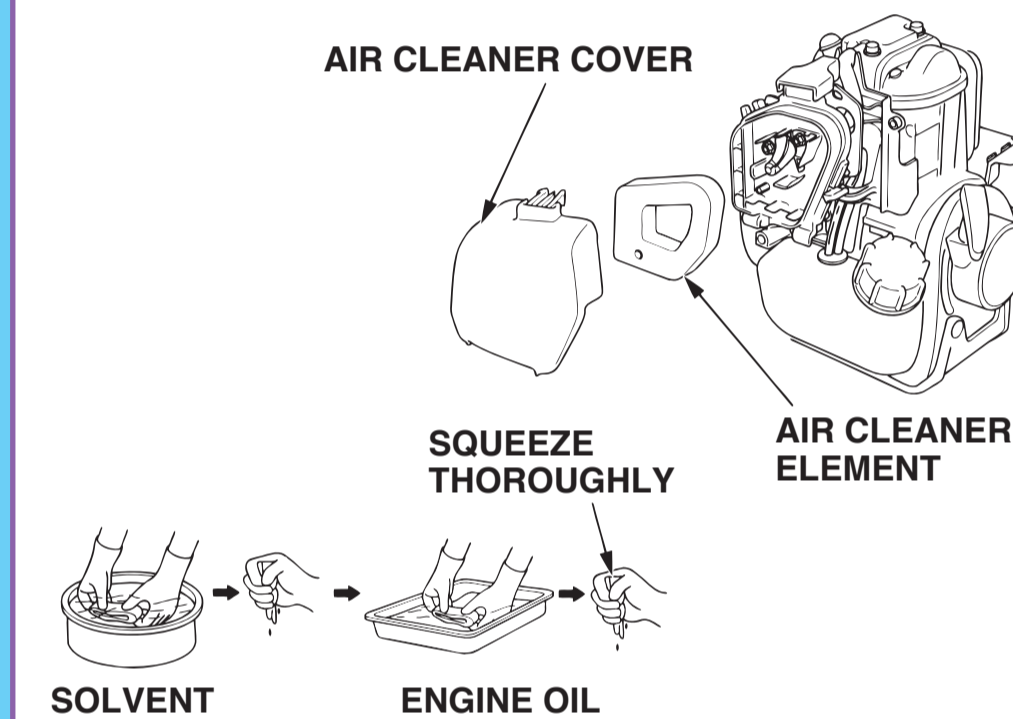
## ENGINE OIL



Honda recommends that you use API SERVICE category SF or SG oil.



## AIR CLEANER



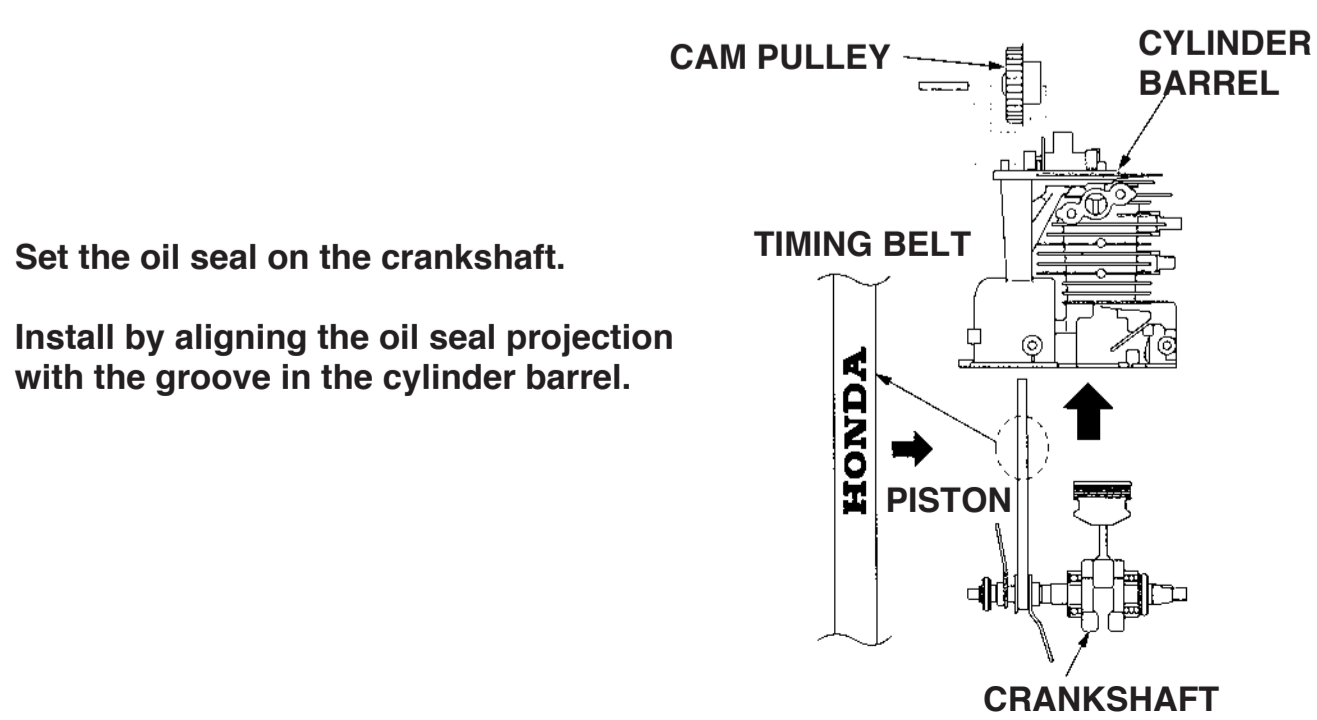
## SPARK PLUG



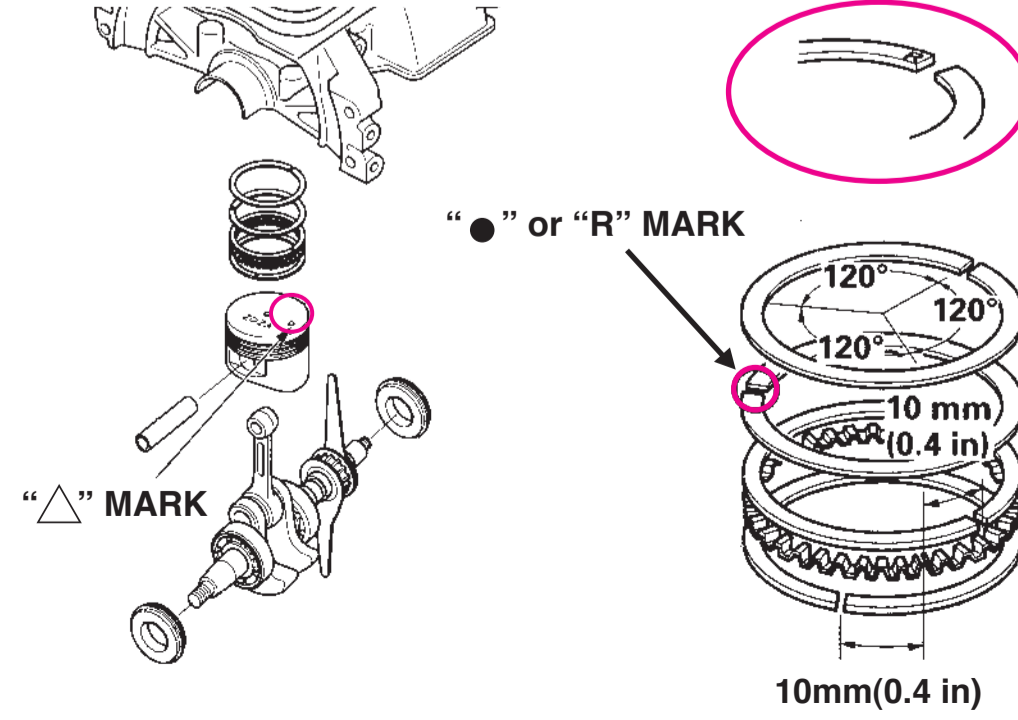
Spark plug gap	0.6-0.7mm (0.024-0.028 in)
Standard spark plug	CMR5H (NGK)

© Honda Motor Co., Ltd. Power Product Service Division.

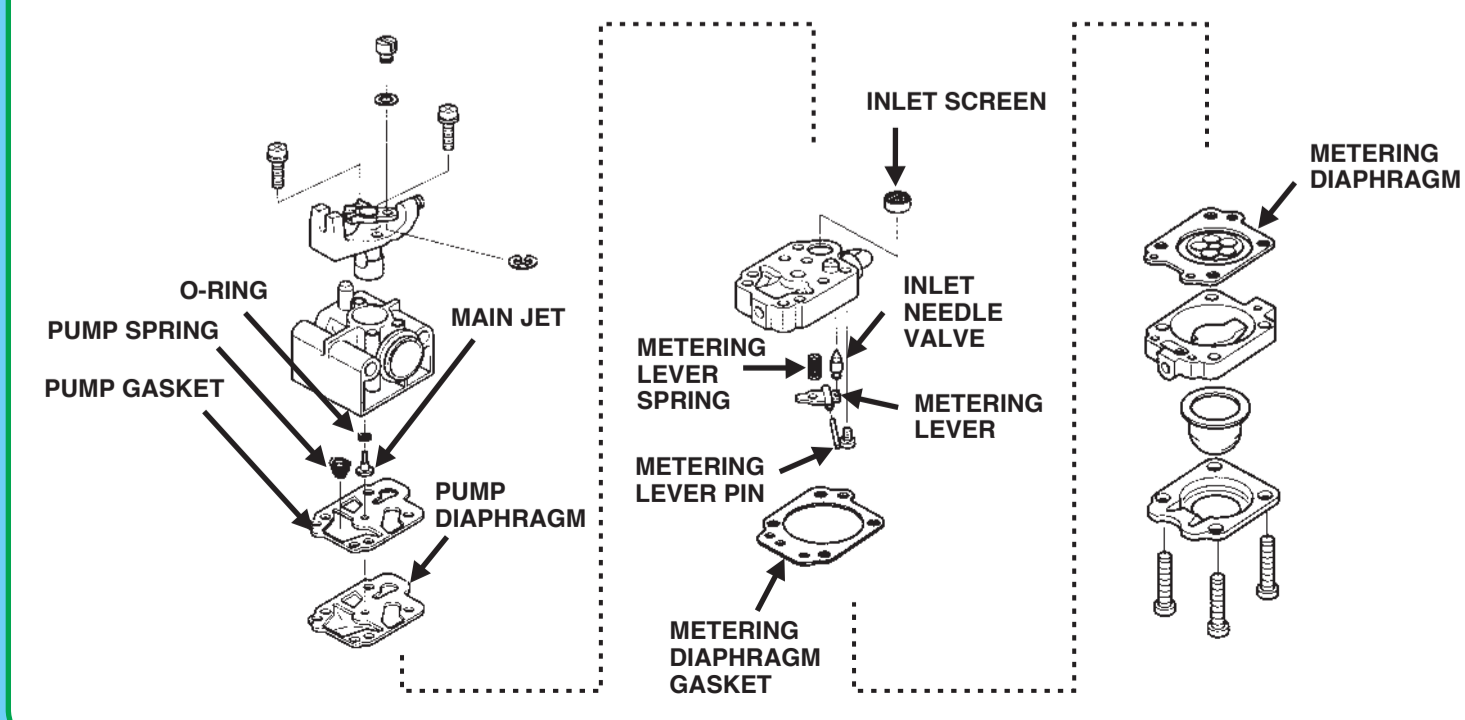
## CRANKSHAFT/CAMPULLEY



## CRANKSHAFT/PISTON



## CARBURETOR DISASSEMBLY/REASSEMBLY



## CARBURETOR REMOVAL/INSTALLATION

